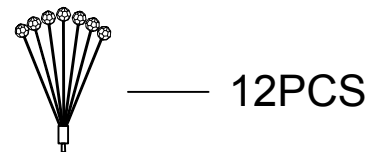
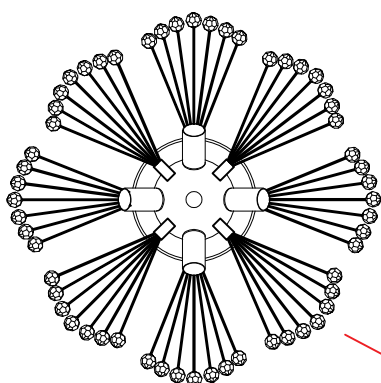
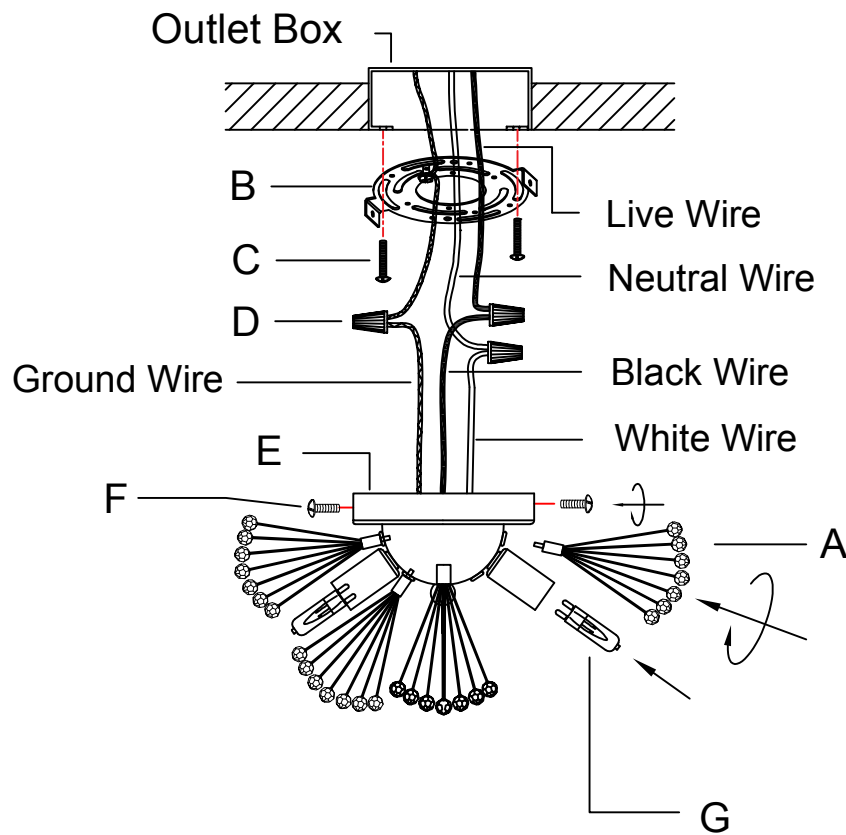


ITEM NO. :T7216-4CU

ASSEMBLY INSTRUCTIONS

- 1.Screw the crystal branches (A) into the holes on the central core.
- 2.Install the mounting plate (B) on the outlet box with the screws (C).
- 3.Connect the fixture wire to the circuit wire by wire nuts (D), black wire with live wire, white wire with neutral wire, ground wire with ground wire.
- 4.Fix the lamp body (E) to the mounting plate (B) by the ball nuts (F).
- 5.Screw the bulb (G) into the lamp holder.

Please consult a qualified Electrician if you are not familiar with electrical wiring.



Adjust the distance among the crystal branches and keep the branches away from each other to suit your lighting needs.