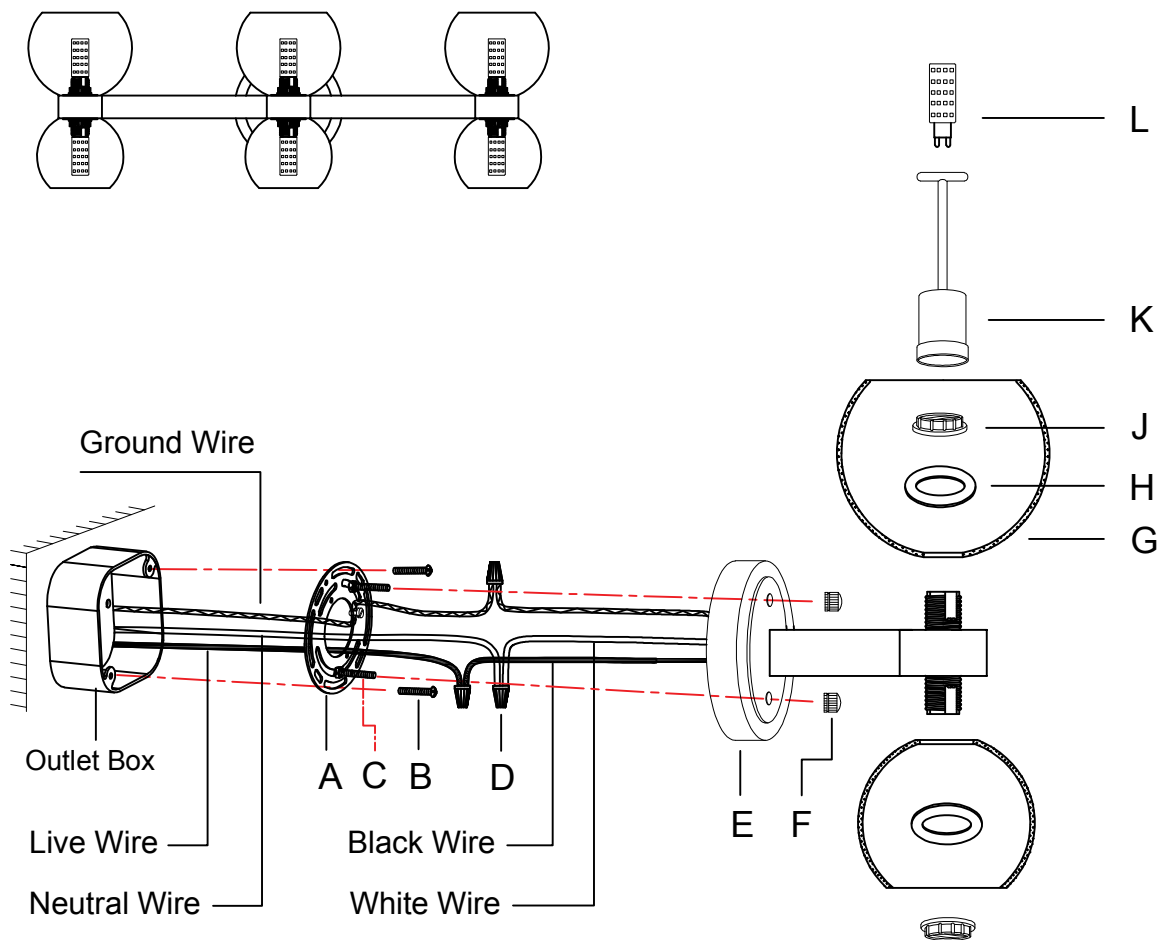


ITEM NO. :B3282-6BU

ASSEMBLY INSTRUCTIONS

1. Install the mounting plate (A) on the outlet box with the screws (B).
2. Loosen the hex nuts around the bolts (C) and screw in or unscrew the bolts from the junction box to get the right length for installation.
3. Connect the fixture wire to the circuit wire with the wire nuts (D): black wire with live wire, white wire with neutral wire, ground wire with ground wire. Turn the wire nuts to twist the wires together. Wrap the wire nuts with insulated rubber tape.
4. Attach the lamp body (E) to the mounting plate (A) using the ball nuts (F) to secure.
5. Put the lampshade (G) and washer (H) around the lamp holder, put the socket ring (J) into the socket spanner (K), put the socket ring around the lamp holder with the socket spanner, and secure the lampshade by tightening the socket ring with the socket spanner.
6. Insert the bulb (L) into the lamp holder.

Please consult a qualified Electrician if you are not familiar with electrical wiring.



In view of thermal expansion and contraction, avoid securing the glass shade too tight when screwing the socket ring into the lamp holder, otherwise you may break the glass shade.