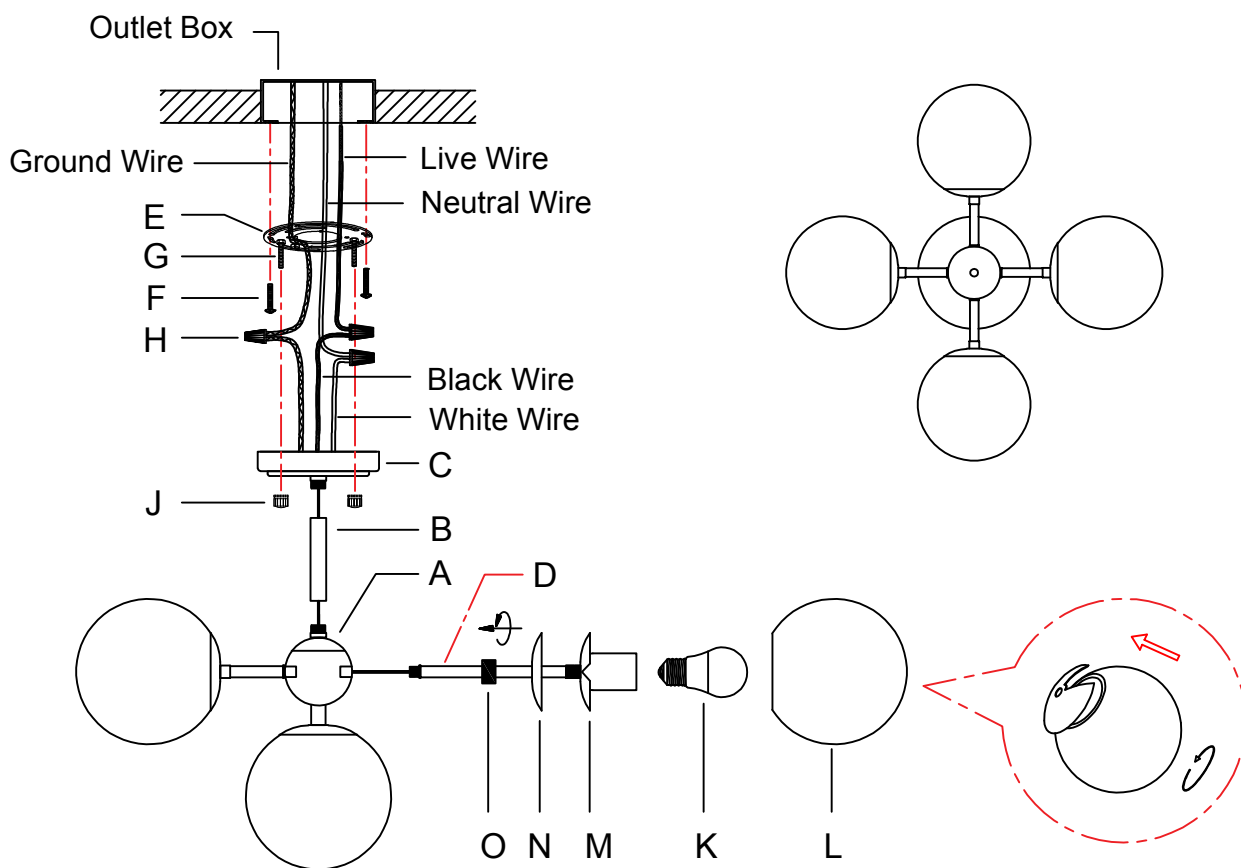


ITEM NO. : B7288-5CU-J

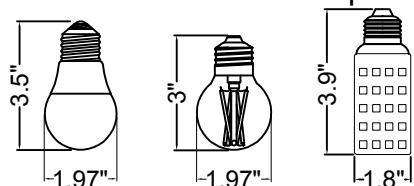
ASSEMBLY INSTRUCTIONS

1. Pass the wires through the connecting rod (B), screw the rod into the threaded tube on the lamp body (A), and screw the canopy (C) into the connecting rod.
2. Insert the wires into the lamp body and screw the rods (D) into the lamp body (A).
3. Install the mounting plate (E) on the outlet box with the screws (F).
4. Loosen the hex nuts around the bolts (G) and screw in or unscrew the bolts from the junction box to get the right length for installation.
5. Connect the fixture wire to the circuit wire with the wire nuts (H): black wire with live wire, white wire with neutral wire, ground wire with ground wire. Turn the wire nuts to twist the wires together. Wrap the wire nuts with insulated rubber tape.
6. Fix the canopy (C) to the mounting plate (E) with the ball nuts (J).
7. Screw the bulb (K) into the lamp holder.
8. Align the top of glass shade (L) with the triangular notch of the rounded cover (M) and screw the lamp holder into the glass shade at an angle.
9. Put the rounded cover (N) on top of the glass shade (L). Make sure the top of the glass shade aligns with the middle part of the rounded cover and then secure the glass shade by tightening the nut (O).

Please consult a qualified Electrician if you are not familiar with electrical wiring.



Recommended bulb shape



A15

G50

LED

Max. Size of Bulb: 2.4" Wide * 3.9" High