

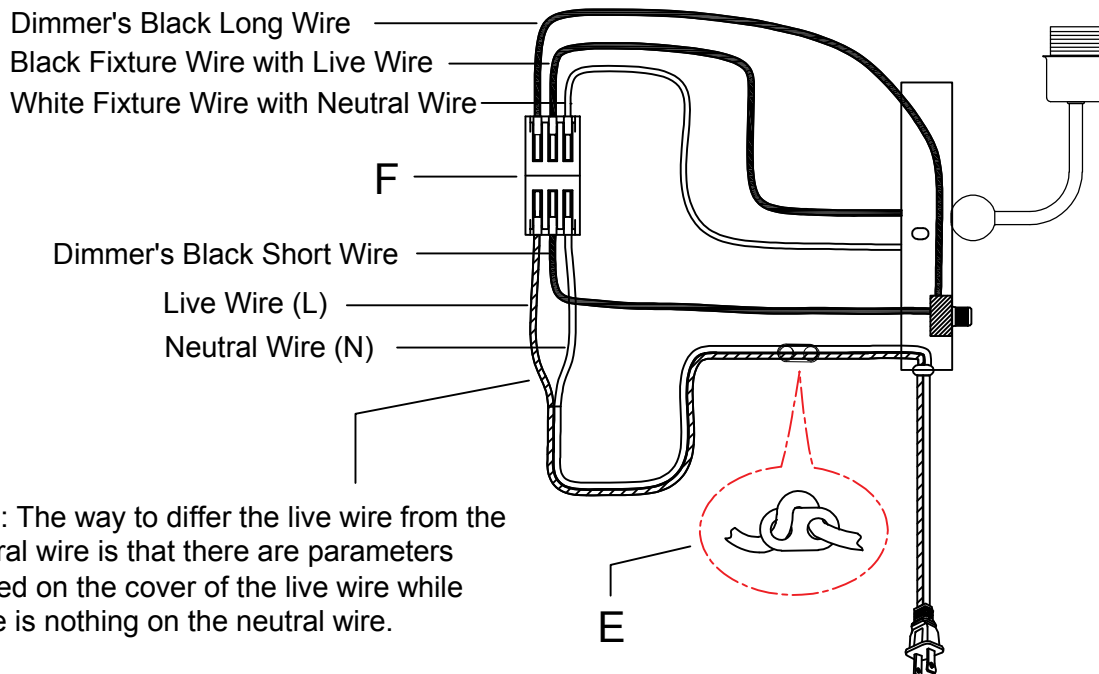
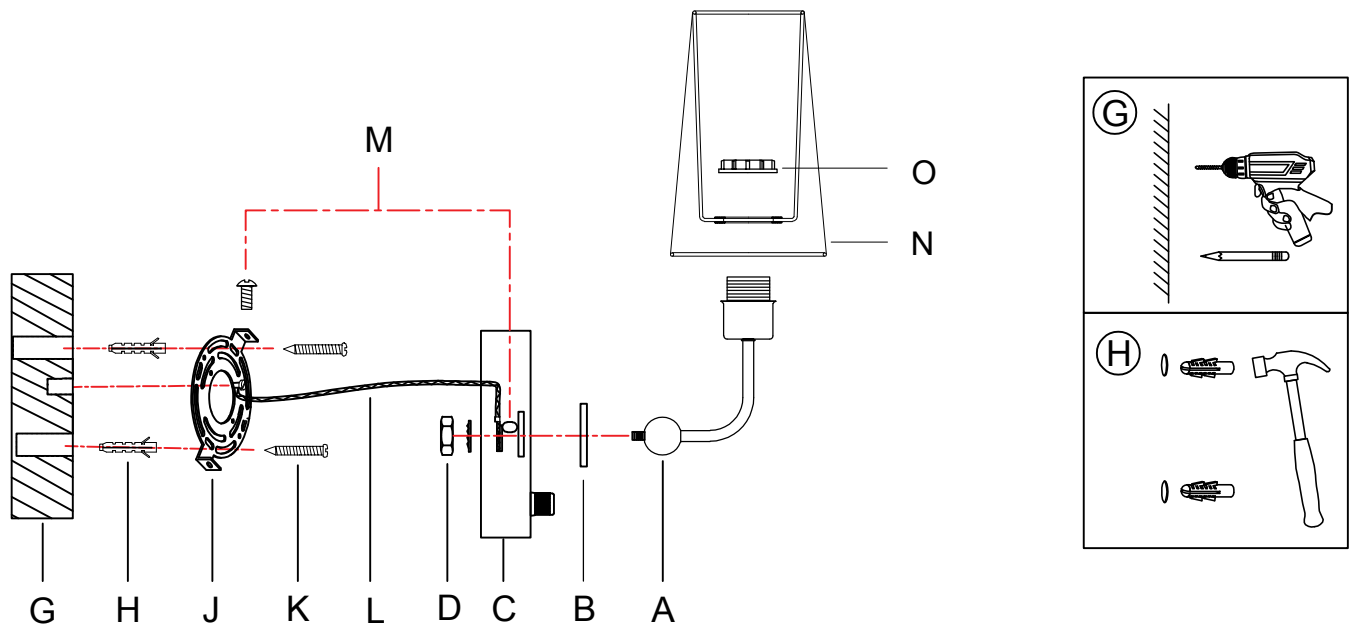
ITEM NO. :T3246-2BU-C

Installation Process Without a Junction Box

ASSEMBLY INSTRUCTIONS

1. Attach the lamp body (A) and the decorative metal slat (B) to the canopy (C) using the nut (D) to secure.
2. Pass the power cords (E) through the hole on the canopy, adjust the length of cords, and fasten the cords with an 8-shaped fastener.
3. Twist the wires of the power cords together and connect the power cords (F) with the terminal: connect the dimmer's long wire to the live wire (L) of the power cord, connect the dimmer's short wire to the black fixture wire, and connect the fixture's white wire to the neutral wire (N) of the power cord.
4. Mark the mounting holes on the wall according to the hole spacing of a mounting plate and drill holes on the wall (G).
5. Gently tap the plastic drywall anchors (H) into the hole with a hammer.
6. Attach the the mounting plate (J) to the wall and secure it with self-tapping screws (K).
7. Wrap a few loops of the ground wire (L) around the green screw on the mounting plate (J) and then tighten the green screw.
8. Fix the canopy (C) to the mounting plate (J) with the screws (M).
9. Put the lampshade (N) around the lamp holder and secure the shade with the socket ring (O).

Please consult a qualified Electrician if you are not familiar with electrical wiring.



Note: The way to differ the live wire from the neutral wire is that there are parameters printed on the cover of the live wire while there is nothing on the neutral wire.