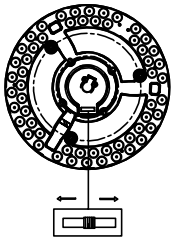


# ITEM NO. : T5346DU

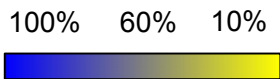
## ASSEMBLY INSTRUCTIONS

- 1.Pass the wires through the connecting rod (B), screw the connecting rod into the threaded tube on the lamp body (A), and screw the canopy (C) into the rod.
  - 2.Install the mounting plate (D) on the outlet box with the screws (E).
  - 3.Loosen the hex nuts around the bolts (F) and screw in or unscrew the bolts from the junction box to get the right length for installation.
  - 4.Connect the fixture wire to the circuit wire by wire nuts (G), black wire with live wire, white wire with neutral wire, ground wire with ground wire.
  - 5.Fix the canopy (C) to the mounting plate (D) with the ball nuts (H).
  - 6.Put the diffuser (J) into the lampshade slantwise at 15 to 25 degrees of angle.
- Please consult a qualified Electrician if you are not familiar with electrical wiring.*

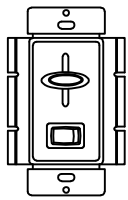


3000K 4500K 5500K

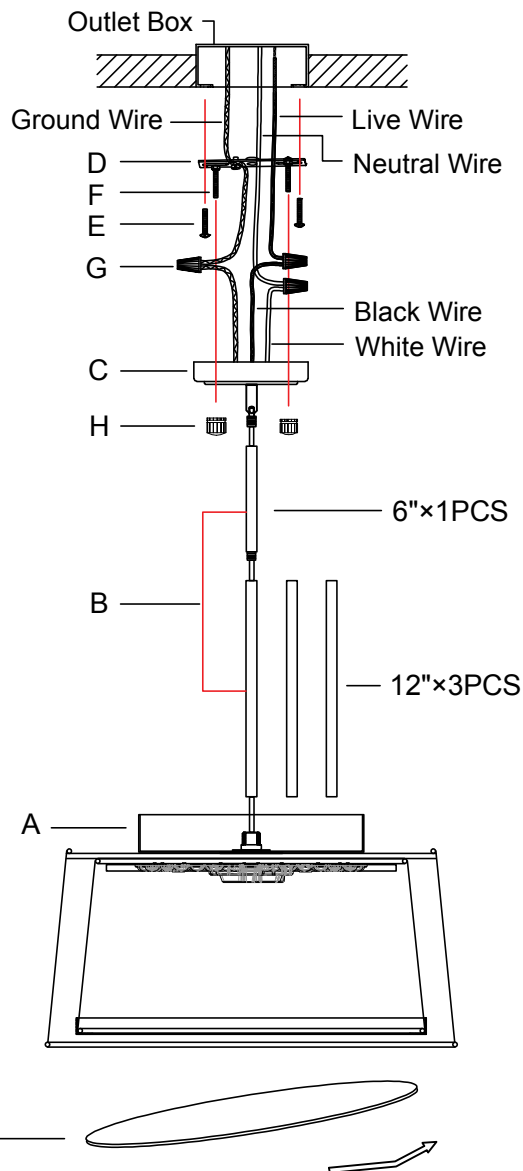
The LED color temperature can be adjusted before installing the lamp.



100% 60% 10%



Dimmer  
(NOT included in the package)



Do not overly bend the diffuser so as not to break it.

- 1.The ceiling light is fully dimmable with a compatible dimmer and its dimming range is from 100% down to 10%.
- 2.The dimming effect varies with the brands of dimmers and the recommended brand is Lutron.