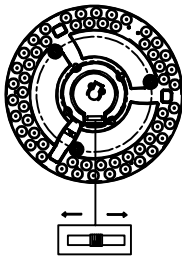


ITEM NO. : T7271CU-J

ASSEMBLY INSTRUCTIONS

1. Install the mounting plate (A) on the outlet box with the screws (B).
2. Connect the fixture wire to the circuit wire by wire nuts (C), black wire with live wire, white wire with neutral wire, ground wire with ground wire.
3. Fix the canopy (D) to the mounting plate (A) with the screws (E).
4. Put the diffuser (F) into the lampshade slantwise at 15 to 25 degrees of angle.

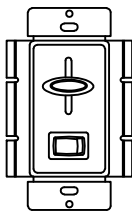
Please consult a qualified Electrician if you are not familiar with electrical wiring.



3000K 4500K 5500K

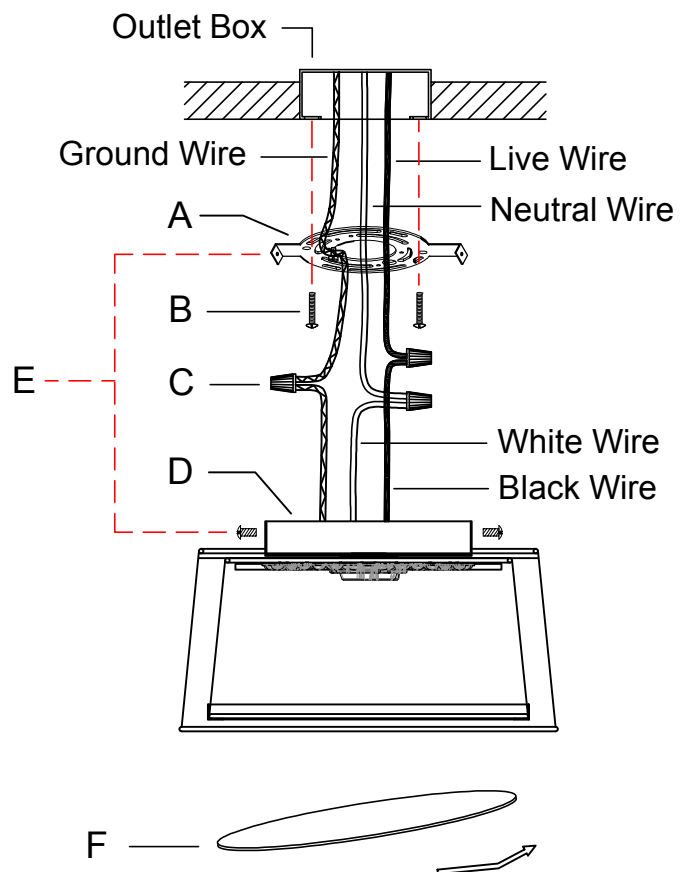
The LED color temperature can be adjusted before installing the lamp.

100% 60% 10%



Dimmer

(NOT included in the package)



Do not overly bend the diffuser so as not to break it.

1. The ceiling light is fully dimmable with a compatible dimmer and its dimming range is from 100% down to 10%.

2. The dimming effect varies with the brands of dimmers and the recommended brand is Lutron.