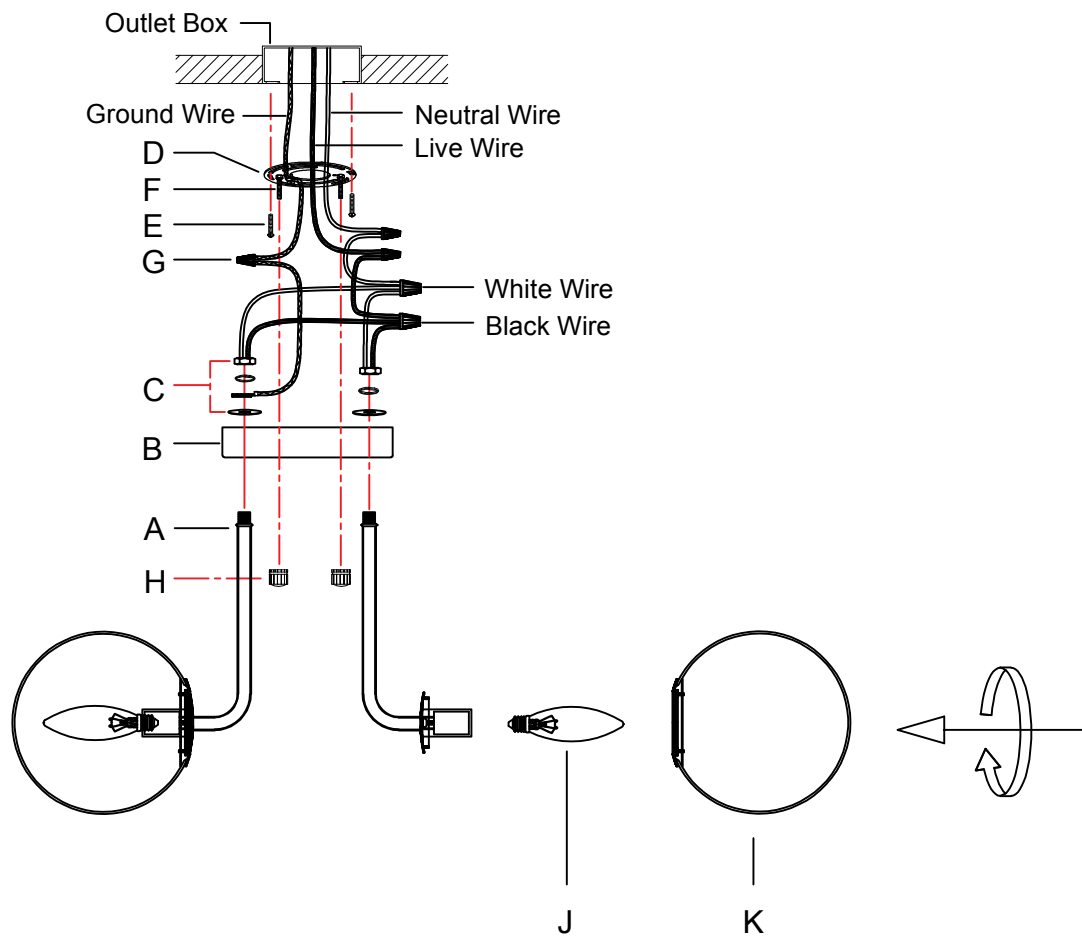


ITEM NO:B7218-3CU

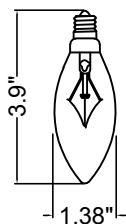
ASSEMBLY INSTRUCTIONS

- 1.Put the canopy (B) around the threaded tube (A) on the arms using the nuts (C) to secure.
- 2.Install the mounting plate (D) on the outlet box with the screws (E).
- 3.Loosen the hex nuts around the bolts (F) and screw in or unscrew the bolts from the junction box to get the right length for installation.
- 4.Connect the fixture wire to the circuit wire with the wire nuts (G): black wire with live wire, white wire with neutral wire, ground wire with ground wire. Turn the wire nuts to twist the wires together. Wrap the wire nuts with insulated rubber tape.
- 5.Fix the canopy (B) to the mounting plate (D) with the ball nuts (H).
- 6.Screw the bulb (J) into the lamp holder.
- 7.Screw the lampshade (K) into the lamp holder gently.

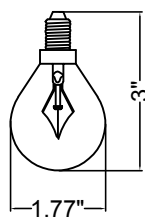
Please consult a qualified Electrician if you are not familiar with electrical wiring.



Recommended bulb shape



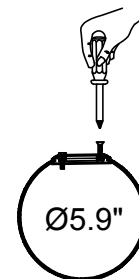
C35



G45

Max. Size of Bulb:

1.8 Inches Wide * 3.9 Inches High



Tighten the screws before installing the glass globe. Note: Do not over tighten the screws or you will potentially break the glass.