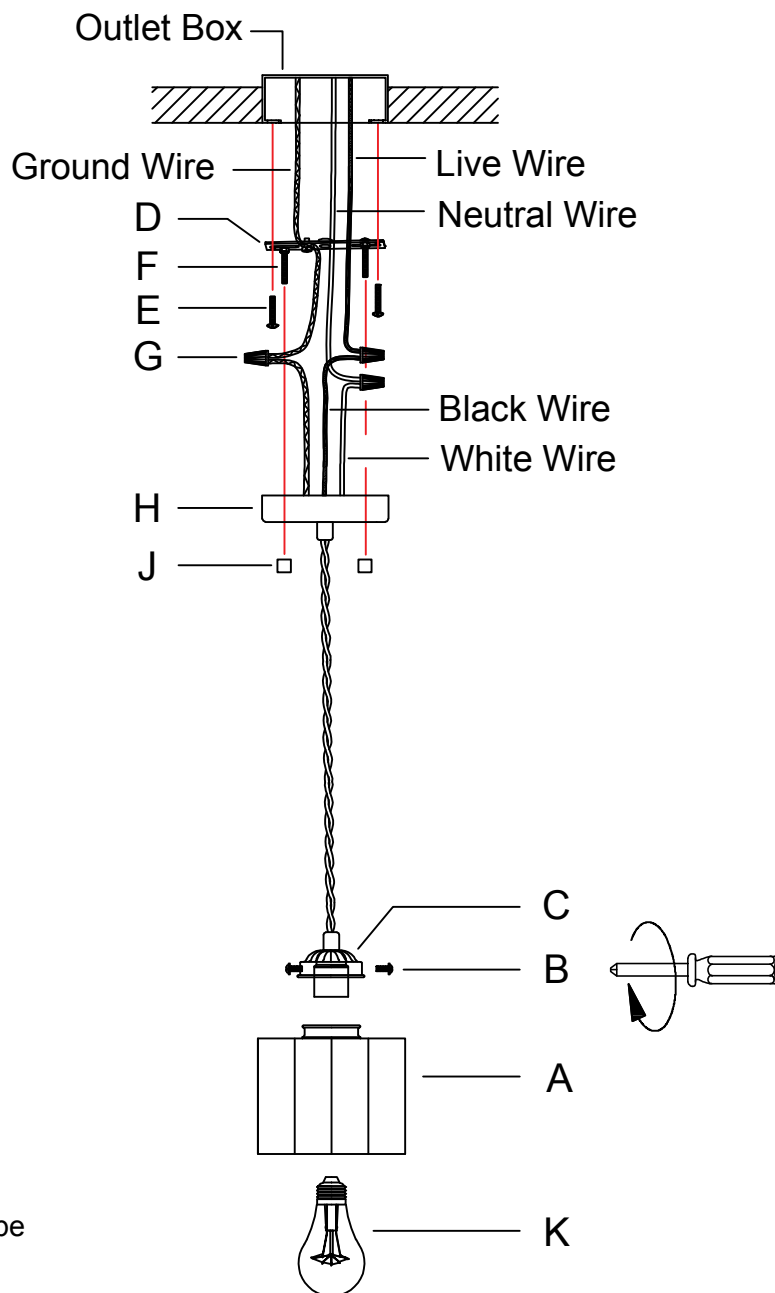


ITEM NO. : B5373DU

ASSEMBLY INSTRUCTIONS

1. Attach the lampshade (A) to the metal cover above the lamp holder (C) using the screws (B) to secure.
2. Install the mounting plate (D) on the outlet box with the screws (E).
3. Loosen the hex nut around the bolts (F) and screw in or unscrew the bolts from the junction box to get the right length for installation.
4. Connect the fixture wire to the circuit wire with the wire nuts (G): black wire with live wire, white wire with neutral wire, ground wire with ground wire. Turn the wire nuts to twist the wires together. Wrap the wire nuts with insulated rubber tape.
5. Fix the canopy (H) to the mounting plate (D) with the ball nuts (J).
6. Screw the bulb (K) into the lamp holder.

Please consult a qualified Electrician if you are not familiar with electrical wiring.



Recommended bulb shape

